

nTNC-Evaluation V1

Reference Manual

Guide for use



Diagram Assignments



nTNC-Evaluation V1

COMPORT
RS232

STATUS

TX

RX

TNC
GPS Tracker
Digi Repeater
Weather Station

PWR

TO RADIO

DC
6-25V



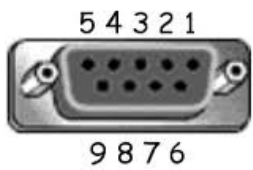
NAKHONTHAI NETWORK CO.,LTD.
<http://www.nakhonthai.net>
<http://aprs.nakhonthai.net>



NAKHONTHAI NETWORK CO., LTD.
589 PhetKasem Rd., NongKhangPhlu, NongKhaem, Bangkok 10160
<http://www.nakhonthai.net> Tel:(662)8697761 Fax:(662)8698106

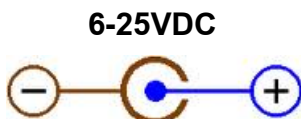
DB9 Pinout

DB9 Female



Pin	Description
1	+5Vcc
2	TXD
3	RXD
5	GND
6	-9Vout
9	+9Vout

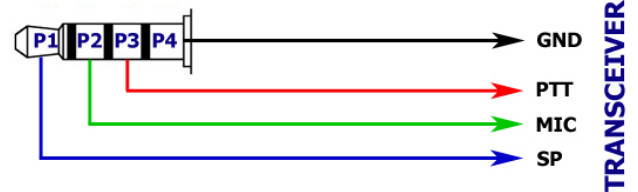
DC Power JACK Pinout



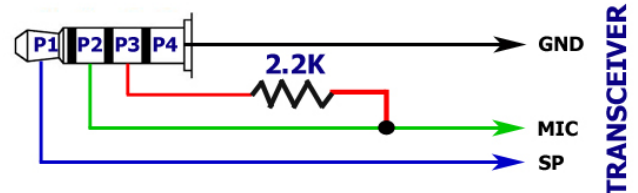
PHONE JACK RADIO Pinout

4Pin 3.5mm	Pin	Description
	Pin 1	1 Speaker (AF IN)
	Pin 2	2 MIC (AF OUT)
	Pin 3	3 PTT (Pull Down)
	Pin 4	4 GND (Shield)

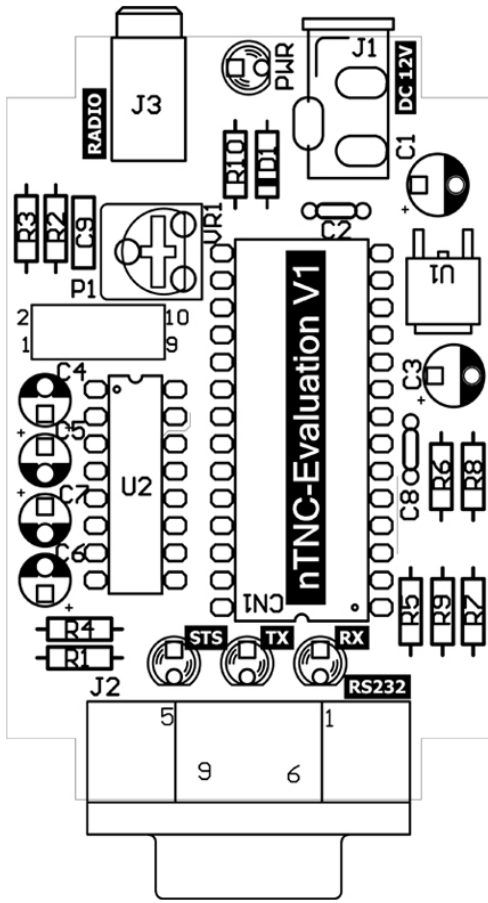
Connection Type A (PTT Direct)



Connection Type B (PTT to Mic)



Layout



Part List	Description
C1	100uF/50V Electrolytic Capacitor
C3	22uF/35V Electrolytic Capacitor
C2,C8	0.1uF Ceramic Multilayer Capacitor
C9	100nF Polypropylene Film Capacitor
C4,C5,C6,C7	10uF/25V Electrolytic Capacitor
R1,R4	100Ω 1/4W Resistor
R2,R3	10K 1/4W Resistor
R5,R7,R9,R10	680Ω 1/4W Resistor
R6	20K 1/4W Resistor
R8	1K 1/4W Resistor
VR1	20K Variable Resistor
U1	NCP1117DT50RKG
U2	MAX232 16Pin PDIP Socket
CN1	nTNC-Module 28Pin PDIP Socket
D1	1N4001 50V/1A Diode
J1	DC POWER JACK 2.00mm
J2	DB9 Female
J3	PHONE JACK 4Layer 3.5mm
P1	10Pin IDC Connector
LED1	[STS] Yellow Color
LED2	[RX] Green Color
LED3	[TX] Red Color
LED4	[PWR] RED Color

Circuit Details

